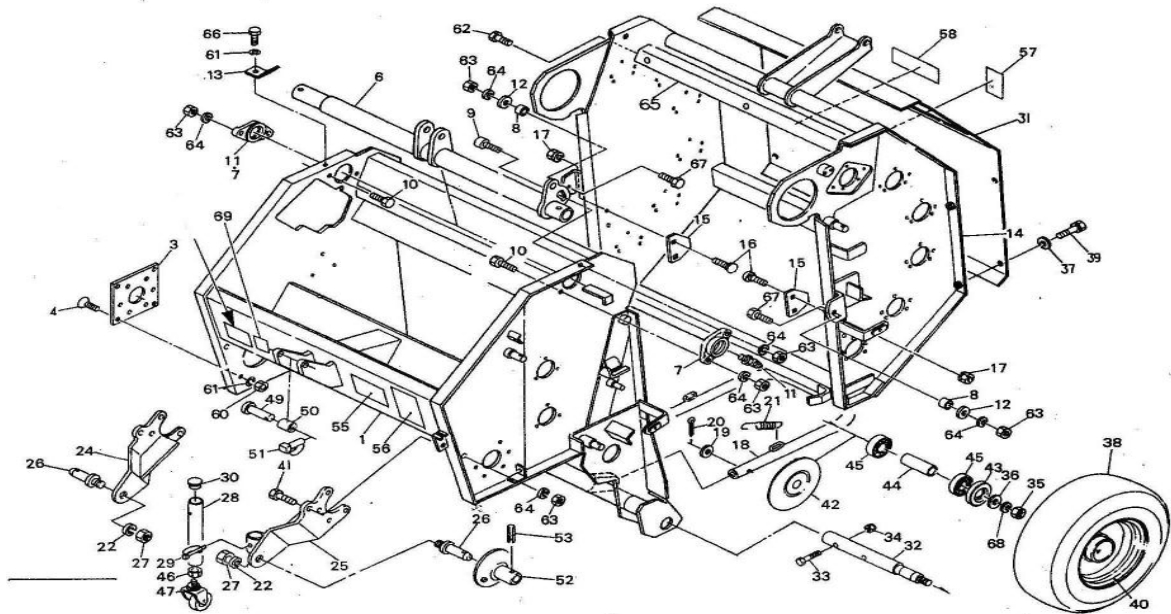


YK0850. YK0870 round baler

frame assy

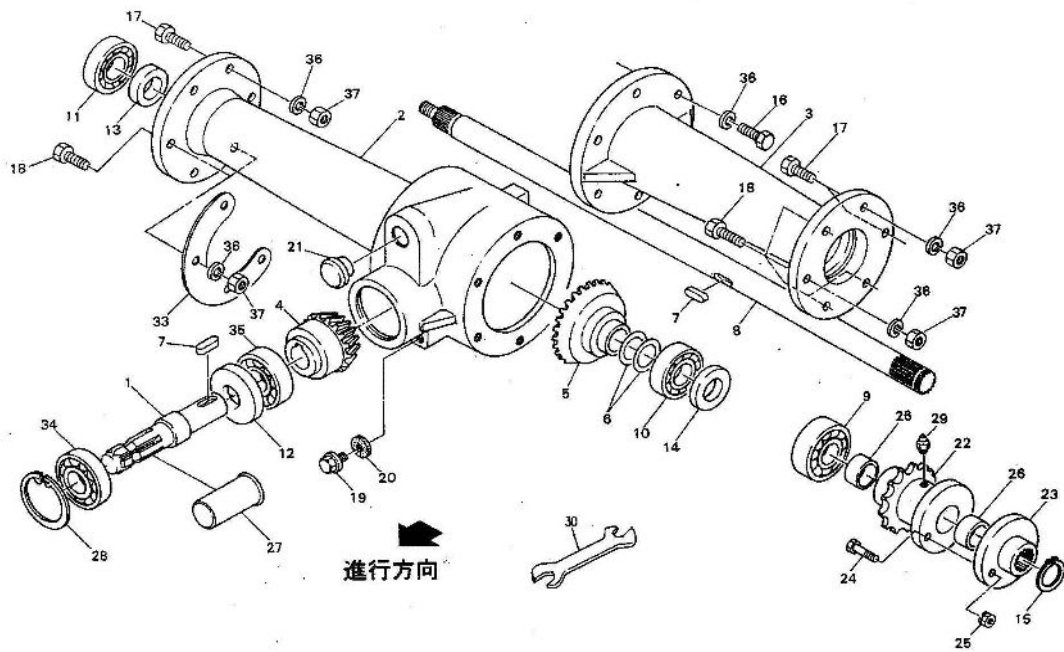


| No. | Drawing No.   | name   | Qty |
|-----|---------------|--|-----|
| 1   | YK50. 1-01-00 | YK0850 front frame CP                              | 1   |
|     | YK70. 1-01-00 | YK0870 front frame CP                              | 1   |
| 3   | YK70. 1-02    | Connecting plate                                   | 1   |
| 4   | GB5786-86     | Bolt M10×25 (8.8)                                  | 4   |
| 6   | YK50. 1-03-00 | pivot pipe CP YK0850                               | 1   |
|     | YK70. 1-03-00 | pivot pipe CP YK0870                               | 1   |
| 7   | YK70. 1-04    | top cover  | 2   |
| 8   | YK70. 1-05    | sleeve   | 2   |
| 9   | GB70. 1-2000T | <b>HEXAGON SOCKET HEAD SCREW</b><br>M12*30 (10. 9) | 1   |
| 10  | GB5786-86     | Bolt M12×30 (8.8)                                  | 3   |

|    |              |                                 |   |
|----|--------------|---------------------------------|---|
| 11 | GB1152-79    | grease nipple ONB6 M6×1         | 2 |
| 12 | GB97.1-85    | washer<br>12.5×3.2              | 2 |
| 13 | YK70.1-06    | Hanging plate                   | 1 |
| 14 | YK50.1-07-00 | rear frame CP YK0850            | 1 |
|    | YK70.1-07-00 | rear frame CP YK0870            | 1 |
| 15 | YK70.1-08    | Steel plate                     | 2 |
| 16 |              | square neck bolt<br>M8×15 (8.8) | 4 |
| 17 | GB6710-86    | Nut M8 (8.8)                    | 4 |
| 18 | YK70.1-09    | ejector rod CP                  | 1 |
| 19 | GB97.1-85    | Washer 10                       | 1 |
| 20 | GB91-87      | Split pin 3.2×16                | 1 |
| 21 | YK70.1-10    | <b>extension spring A</b>       | 2 |
| 22 | GB93-87      | <b>spring washer 22</b>         | 2 |
| 24 | YK70.1-11-00 | Connectting arm CP: R           | 1 |
| 25 | YK70.1-12-00 | Connecting arm<br>CP: L         | 1 |
| 26 | YK70.1-13    | Connection pin                  | 2 |
| 27 | GB6710-86    | Hexagon nut M22XI.5 (8.8)       | 2 |
| 28 | YK70.1-14-00 | Supporting rod CP; 450A         | 1 |
| 29 | HB4187-1989  | <b>bayonet pin 9</b>            | 1 |
| 30 | YK70.1-21    | cover                           | 1 |
| 31 | YK50.1-15    | YK0850 Rear cover               | 1 |

|    |                   |                             |   |
|----|-------------------|-----------------------------|---|
|    | YK70.1-15         | YK0870 Rear cover           | 1 |
| 32 | YK70.1-16         | wheel axis                  | 2 |
| 33 | GB5786-86         | Bolt M12×70 (8.8)           | 2 |
| 34 | GB6710-86         | Nylon locking nut M12       | 2 |
| 35 | GB6710-86         | <b>HEXagon NUT</b> M14      | 2 |
| 36 | GB860-87          | Washer 14                   | 4 |
| 37 | GB97.1-85         | Flat washer 8               | 9 |
| 38 | GB1192-82(400-12) | Tire 5.70/5.00-8            | 2 |
| 39 | GB5786-86         | Bolt M8×16 (8.8)            | 9 |
| 40 | YK70.1-17         | hub                         | 2 |
| 41 | GB5786-86         | Bolt M12×55 (8.8)           | 2 |
| 42 |                   | cover                       | 2 |
| 43 |                   | cover                       | 2 |
| 44 |                   | bush                        | 2 |
| 45 | GB297-84          | Bearing 6205-2RS            | 4 |
| 46 | GB6710-86         | <b>HEX NUT</b><br>M20 (8.8) | 2 |
| 47 |                   | caster; 100                 | 1 |
| 49 | YK70.1-18         | Topper Connecting pin       | 1 |

YK0850 YK0870 round baler  
gearbox assy



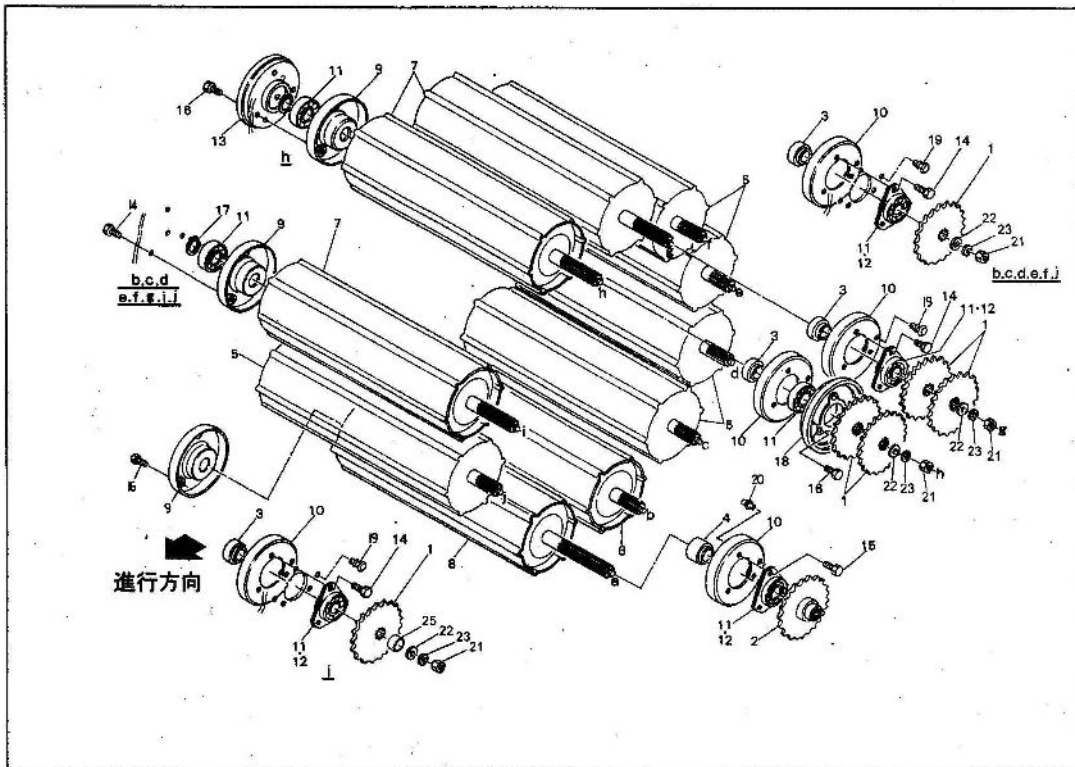
| No. | Drawing No. | name                    | quantity |
|-----|-------------|-------------------------|----------|
| 1   | YK70.2-01   | input shaft             | 1        |
| 2   | YK70.2-02   | gear box                | 1        |
| 3   | YK70.2-03   | gear case               | 1        |
| 4   | YK70.2-04   | bevel gear 12T          | 1        |
| 5   | YK70.2-05   | bevel gear 22T          | 1        |
| 6   | YK70.2-10   | shim                    | 2        |
| 7   | GB1096-79   | Flat key<br>7×7×25 (A型) | 2        |
| 8   | YK70.2-06   | shaft                   | 1        |
| 9   | GB297-84    | Bearing 6305-2RS        | 1        |
| 10  | GB297-84    | Bearing 6305            | 1        |

|    |             |                            |    |
|----|-------------|----------------------------|----|
| 11 | GB297-84    | Bearing 6304-2RS           | 1  |
| 12 | JB2600-80   | oil seal D40×62×10         | 1  |
| 13 | JB2600-80   | oil seal D25×45×7          | 1  |
| 14 | JB2600-80   | oil seal D25×52×8          | 1  |
| 15 | GB894.1-86  | shaft retaining ring<br>25 | 1  |
| 16 | GB5786-86   | Bolt M10X25 (8.8)          | 6  |
| 17 | GB5786-86   | Bolt M10×35 (8.8)          | 4  |
| 18 | GB5786-86   | Bolt M10×50 (8.8)          | 8  |
| 19 |             | Screw plug: M10            | 1  |
| 20 |             | Screw Plug washer: 10      | 1  |
| 21 | YK70.2-10   | plug                       | 1  |
| 22 | YK70.2-07   | Sprocket CP;16T            | 1  |
| 23 | YK70.2-08   | flange                     | 1  |
| 24 | GB5786-2000 | shear bolt ; M6×30         | 11 |
| 25 | GB6710-86   | Nut M6                     | 11 |
| 26 |             | bush                       | 2  |
| 27 | YK70.2-11   | Shaft sleeve PIC; 35       | 1  |
| 28 | GB893.1-86  | Retaining washer 62        | 1  |
| 29 | GB1152×79   | Grease nipple ONA M6X1     | 1  |
| 33 | YK70.2-09   | Steel plate; 4.5           | 1  |
| 34 | GB297-84    | Bearing 6007-2RS           | 1  |
| 35 | GB297-84    | Bearing 6206               | 1  |

|    |           |                  |    |
|----|-----------|------------------|----|
| 36 | GB93-87   | Spring washer 10 | 18 |
| 37 | GB6710-86 | nut M10 (8.8)    | 12 |

YK0850 round baler  
roller assy

滚筒 AS

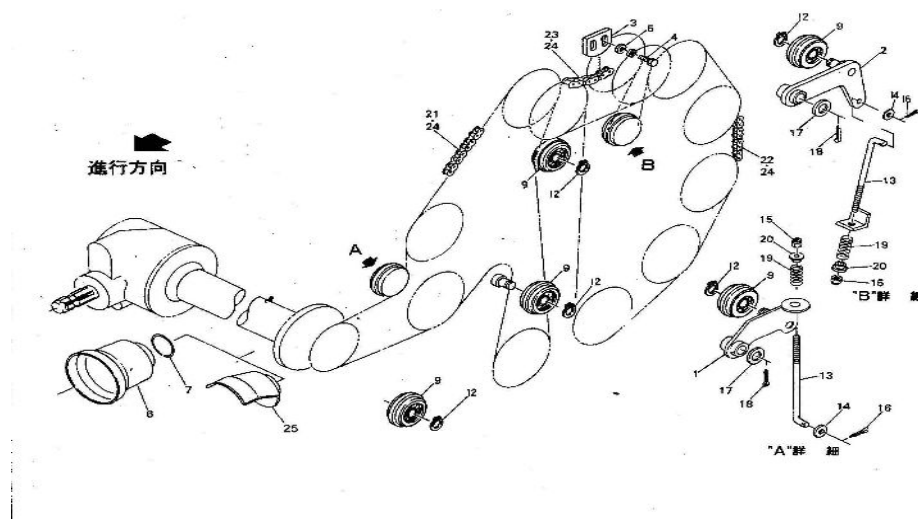


| No. | Drawing No.  | name                              | Qty |
|-----|--------------|-----------------------------------|-----|
| 1   | YK70.3-01    | sprocket; 22T                     | 11  |
|     |              | shim; 25.5X0.6                    | 10  |
| 2   | YK70.3-02    | sprocket; 22T                     | 1   |
| 3   | YK70.3-03    | bush; A                           | 9   |
| 4   | YK70.3-04    | bush; B                           | 1   |
| 5   | YK70.3-05-00 | Roller CP;1                       | 5   |
| 6   | YK70.3-06-00 | Roller CP;2                       | 1   |
| 7   | YK70.3-07-00 | Roller CP;3                       | 3   |
| 8   | YK70.3-08-00 | Roller CP;4                       | 1   |
| 9   | YK70.3-09-00 | flange CP                         | 10  |
| 10  | YK70.3-10-00 | flange CP                         | 10  |
| 11  | GB7810-87    | Spherical ball bearings CS205-2RS | 20  |

|    |                |                         |    |
|----|----------------|-------------------------|----|
| 12 | GB/T 7813-1998 | bearing seat            | 18 |
| 13 | YK70.3-11      | cover plate             | 1  |
| 14 | GB5786-86      | Bolt M8×20 (8.8)        | 48 |
| 15 | GB5786-86      | boltM8×25 (8.8)         | 3  |
| 16 | GB5786-86      | boltM8×30 (8.8)         | 9  |
| 17 | GB894.1-86     | shaft retaining ring 25 | 10 |
| 18 | YK70.3-12      | cover plate             | 1  |
| 19 |                | rivet: 6×6              | 18 |
| 20 |                | rivet: 6×10 rivet       | 2  |
| 21 | GB6710-86      | Nut M12                 | 9  |
| 22 | GB860-87       | washer: Φ13×4.5         | 9  |
| 23 | GB93-87        | spring washer 12        | 9  |
| 25 | YK70.3-13      | bush                    | 1  |

### YK0850.YK0870 圆捆机

#### 滚筒链轮压紧 chain transmission assy

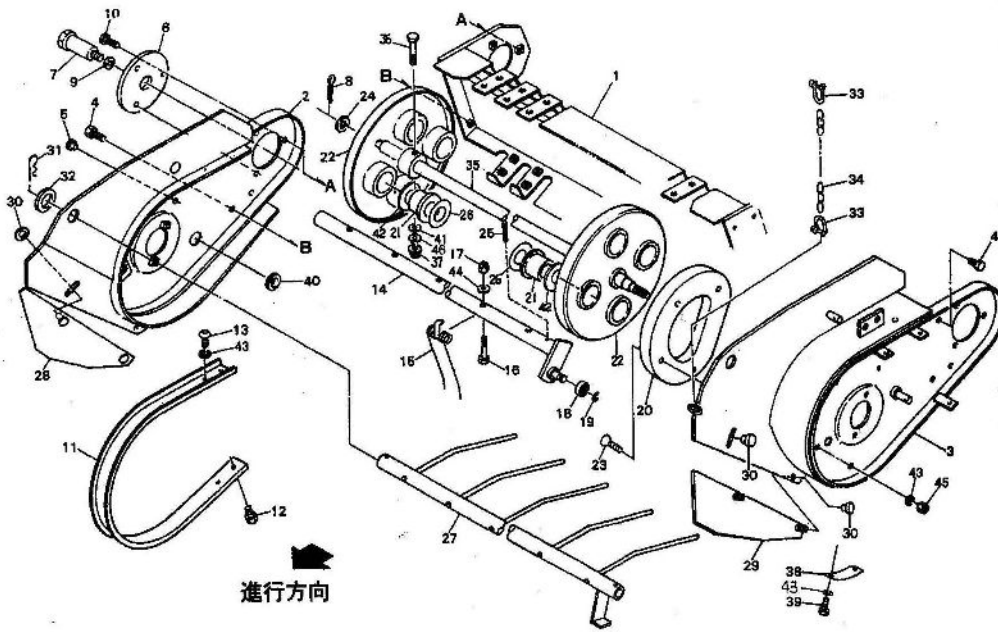


| No. | Drawing No.  | name                            | quantity |
|-----|--------------|---------------------------------|----------|
| 1   | YK70.4-01-00 | pulley bracket CP;A             | 1        |
| 2   | YK70.4-02-00 | pulley bracketCP;B              | 1        |
| 3   | YK70.4-03    | tension plate                   | 1        |
| 4   | GB5786-86    | Spring washer, bolt M8×25 (8.8) | 2        |
|     | GB860-87     | Washer 8                        | 2        |

|    |               |                              |   |
|----|---------------|------------------------------|---|
| 5  |               |                              |   |
| 6  |               | Shaft 650                    | 1 |
| 7  |               | steel wire retaining ring: S | 1 |
| 9  | YK70.4-04     | Pulley CP                    | 6 |
| 12 |               | shaft retaining ring 17      | 5 |
| 13 | YK50.4-05     | pull rod YK0850              | 2 |
|    | YK70.4-05     | pull rod YK0870              | 2 |
| 14 | GB97.1-85     | flat washer 10               | 2 |
| 15 | GB            | nylon locking nut M10        | 2 |
| 16 | GB91-87       | split pin 3.2×16             | 2 |
| 17 | GB860-87      | Washer 21×1.5                | 2 |
| 18 | GB91-87       | split pin 3.2×32             | 2 |
| 19 | YK70.4-06     | spring                       | 2 |
| 20 | YK70.4-07     | spring seat                  | 2 |
| 21 | GB/T1243-2006 | Chain 50SH-144-1 YK0850      | 1 |
|    | GB/T1243-2006 | Chain 50SH-168-1 YK0870      | 1 |
| 22 | GB/T1243-2006 | Chain 50SH-126-1 YK0850      | 1 |
|    | GB/T1243-2006 | Chain 50SH-146-1 YK0870      | 1 |
| 23 | GB/T1243-2006 | Chain 10A-42×1               | 1 |
| 24 | GB/T1243-2006 | chain joint 50SH             | 3 |
|    |               |                              |   |

YK0850.YK0870 Round baler  
picking-up assy



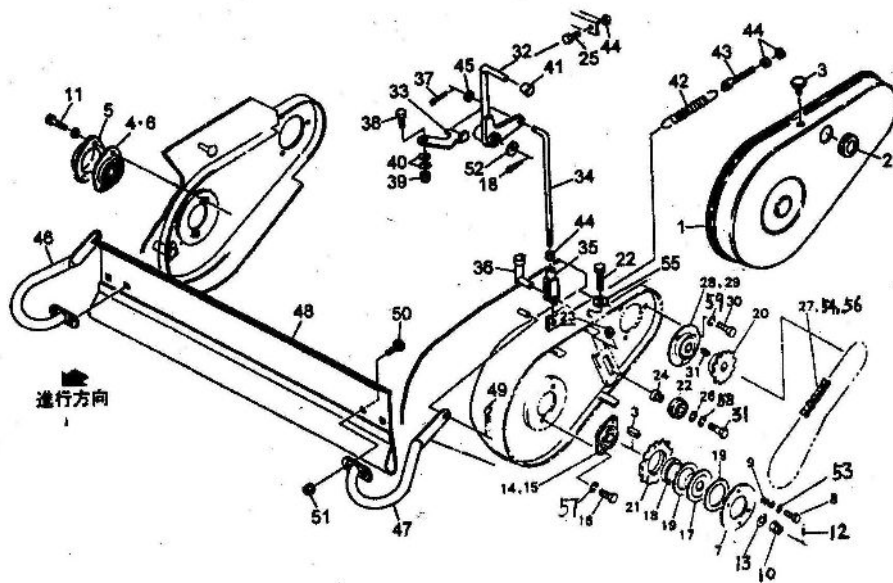


| No. | Drawing No.  | name                         | Qty |
|-----|--------------|------------------------------|-----|
| 1   | YK70.5-01-00 | picking-up Assy bracket CP   | 1   |
| 2   | YK70.5-02-00 | picking-up Assy bracket CP;R | 1   |
| 3   | YK70.5-03-00 | picking-up Assy bracket CP;L | 1   |
| 4   | GB5786-86    | bolt M8×20 (8.8)             | 5   |
| 5   | YK70.5-18    | cover: 9                     | 5   |
| 6   | YK70.5-04    | Steel plate                  | 1   |
| 7   | YK70.5-05    | axis                         | 1   |
| 8   | GB91-87      | Split pin 5×36               | 1   |
| 9   | GB93-87      | Spring washer 14             | 1   |
| 10  | GB5786-86    | Bolt M8×25 (8.8)             | 3   |
| 11  | YK70.5-06    | Protecting spring teeth      | 11  |

|    |                 |   |    |
|----|-----------------|---|----|
| 12 | GB5786-86       | bolt M8×20 (8.8)  | 22 |
| 13 | RBT08020        | <b>HEXAGON SOCKET flat HEAD SCREW</b><br>:<br>M8×20(10.9) | 22 |
| 14 | YK70.5-07-00    | Teeth rod CP  | 4  |
| 15 | YK70.5-08       | spring  | 24 |
| 16 | GB5786-86       | bolt M8×55 (8.8)  | 24 |
| 17 | GB/T3098.9-2002 | Nylon locking nut M8                                      | 24 |
| 18 | GB7810-87       | Bearing 6201-2RS(35×12×10)                                | 4  |
| 19 | GB894.1-86      | Shaft retaining ring 12                                   | 4  |
| 20 | YK70.5-09       | Leading track   | 1  |
| 21 | YK70.5-10       | nylon sleeve  | 8  |
| 22 | YK70.5-11-00    | Racket CP   | 2  |
| 23 | GB/T 70.3-2008  | <b>HEX SOCKET Countersunk head screw</b><br>M8×20 (10.9)  | 4  |
| 24 | YK70.5-12       | shim  | 2  |
| 25 | GB91-87         | split pin 5×56  | 8  |
| 26 | GB860-87        | Washer 35×1.2   | 12 |
| 27 | YK70.5-13       | Spring teeth assy CP                                      | 1  |
| 28 |                 | Side cover shield (Optional)CP;R                          | 1  |
| 29 |                 | Side cover shield (optional)CP;L                          | 1  |
| 30 |                 | Plum nut(optional) M8                                     | 4  |
| 31 |                 | B Pin 19×3  | 2  |

|    |                  |                                     |    |
|----|------------------|-------------------------------------|----|
| 32 | GB860-87         | washer                              | 3  |
| 33 |                  | <b>D Shackle; 6-1/4</b>             | 2  |
| 34 |                  | Rectangle welding chain<br>4×23P×32 | 1  |
| 35 | YK70. 5-15       | axis                                | 1  |
| 36 | GB5786-86        | Bolt M10×70 (10. 9)                 | 2  |
| 37 | GB/T3098. 9-2002 | Nylon locking nut M10               | 2  |
| 38 | YK70. 5-16       | steel plate                         | 1  |
| 39 | GB5786-86        | Bolt M8×12 (8. 8)                   | 2  |
| 40 | YK70. 5-17       | cover                               | 1  |
| 41 | GB860-87         | Washer 10                           | 2  |
| 42 | GB860-87         | Washer 43×3. 5                      | 8  |
| 43 | GB93-87          | Spring washer 8                     | 28 |
| 44 | GB860-87         | Washer 8                            | 24 |
| 45 | GB6710-86        | Nut M8 (8. 8)                       | 4  |
| 46 | GB93-87          | spring washer 10                    | 2  |

YK0850. YK0870 Round baler  
Picking-up sprocket Assy



| No | Drawing No.  | name                              | Qty |
|----|--------------|-----------------------------------|-----|
| 1  | YK70.6-01-00 | Sprocket cover CP                 | 1   |
| 2  | YK70.6-02    | Dust cover                        | 1   |
| 3  |              | Plum-shaped bolt<br>M8×14         | 3   |
| 4  | GB7810-87    | bearing CS204-2RS                 | 1   |
| 5  | YK70.6-18    | Bearing cover                     | 1   |
| 6  |              | Bearing seat PFL204               | 1   |
| 7  | YK70.6-03    | Tension disc                      | 1   |
| 8  | GB5786-86    | Bolt M10×65 (8.8)                 | 4   |
| 9  | YK70.6-04    | 彈簧 spring                         | 4   |
| 10 | GB97.1-85    | <b>slotted nut</b> M20×1.5 GB9457 | 1   |
| 11 | GB5786-86    | Bolt M8×25 (8.8)                  | 2   |
| 12 | GB91-87      | Split pin 4×25                    | 1   |

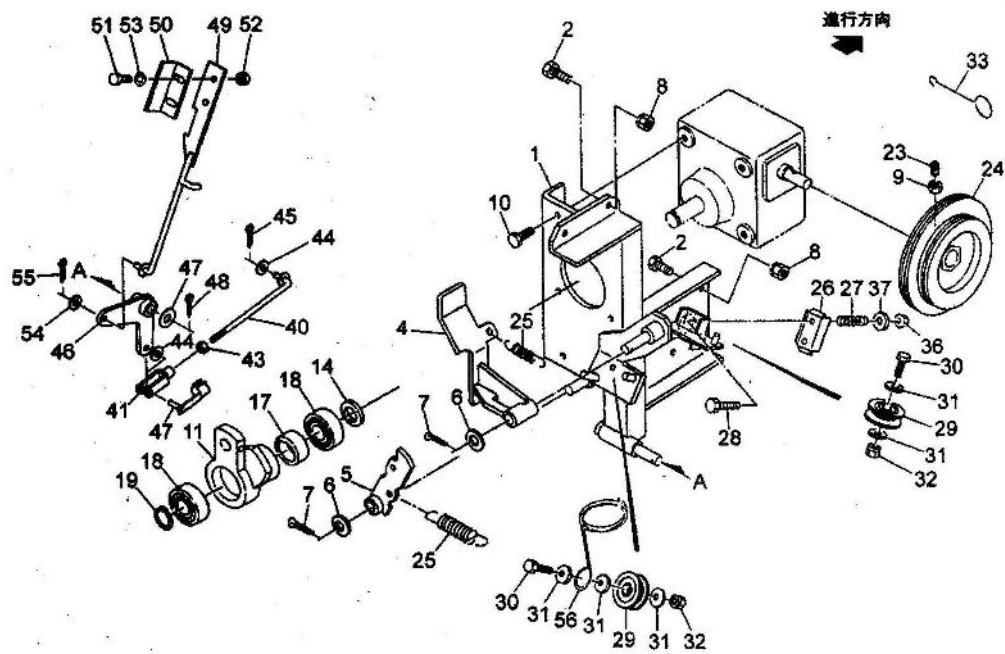
|    |                       |                                   |   |
|----|-----------------------|-----------------------------------|---|
| 13 | GB860-87              | washer; 20                        | 1 |
| 14 | GB/T 7813-1998        | Bearing seat PFL205               | 2 |
| 15 | GB7810-87             | Spherical ball bearings CS205-2RS | 1 |
| 16 | GB5786-86             | Bolt M10X20 (8.8)                 | 2 |
| 17 | YK70.6-05             | <b>Friction disc</b>              | 1 |
| 18 | YK70.6-06             | bush                              | 1 |
| 19 | YK70.6-07             | Friction washer                   | 2 |
| 20 | YK70.6-08             | sprocket; RS50×18T                | 1 |
| 21 | YK70.6-09             | sprocket; RS50×32T                | 1 |
| 22 | YK70.4-04             | Pulley CP                         | 1 |
| 23 | GB/T13680-1992        | Square nut                        | 1 |
| 24 | YK70.6-11             | bush                              | 1 |
| 25 | GB5786-86             | Bolt M10x40 (8.8)                 | 1 |
| 26 | GB860-87              | washer; 12                        | 1 |
| 27 | GB/T1243-2006         | chain10A-59×1                     | 1 |
| 28 | <b>GB/T 7813-1998</b> | Bearing seat PF206                | 2 |
| 29 | GB7810-87             | Bearing CS206-2RS                 | 1 |
| 30 | GB5786-86             | Bolt M10×20 (8.8)                 | 3 |
| 31 | GB5786-86             | Bolt M12×45 (8.8)                 | 1 |
| 32 | YK70.6-12             | Up-down Rod CP                    | 1 |
| 33 | YK70.6-13             | Brake plate                       | 1 |

|    |                 |  |   |
|----|-----------------|--|---|
| 34 | YK50.6-14       | Pull rod RXYK0850                              | 1 |
|    | YK70.6-14       | Pull rod RXYKB0870                             | 1 |
| 35 | YK70.6-15       | fork; 10×40                                    | 1 |
| 36 | GB882-86        | pin; 10×40                                     | 1 |
| 37 | GB91-87         | Split pin 3.2×16                               | 1 |
| 38 | GB5786-86       | Bolt M10×30(8.8)                               | 1 |
| 39 | GB/T3098.9-2002 | Nylon locking nut M10                          | 1 |
| 40 | JB/ZQ 4340-2006 | Disc washer 10                                 | 2 |
| 41 | YK70.6-10       | Handle sleeve; 12                              | 1 |
| 42 | YK70.6-17       | Extension spring: H                            | 2 |
| 43 |                 | Adjustable screw<br>; M10                      | 2 |
| 44 | GB6710-86       | Nut M10 (8.8)                                  | 6 |
| 45 | GB97.1-85       | Flat washer 10                                 | 1 |
| 46 |                 | <b>Elbow bend</b> (optional)<br>CP;R           | 1 |
| 47 |                 | <b>Elbow bend</b><br><b>(optional)</b><br>CP:L | 1 |
| 48 |                 | Shield (optional)                              | 1 |
| 49 |                 | 9 Pin(optional) 8×1.6                          | 2 |

|    |           |                                  |   |
|----|-----------|----------------------------------|---|
| 50 |           | Square neck boltM8×15 (optional) | 4 |
| 51 | GB6710-86 | Nut(optional) M8                 | 4 |
| 52 | GB860-87  | Washer 21×1.5                    | 1 |

|    |           |                    |   |
|----|-----------|--------------------|---|
| 53 | GB860-87  | washer ; 10        | 4 |
| 54 |           | Joint 10A          | 1 |
|    |           |                    |   |
| 56 |           | Coupling part 10A  | 1 |
| 57 | GB93-87   | Spring washer 10   | 2 |
| 58 | GB93-87   | Spring washer12    | 2 |
| 59 | GB93-87   | Spring washer 10   | 3 |
|    |           |                    |   |
|    | GB6710-86 | nut: M12           | 1 |
|    | GB860-87  | washer: 25×35×1.2  | 1 |
|    |           | shim: 25.5×0.6     | 1 |
|    | GB91-87   | Split pin: 3.2×3.2 | 1 |
|    | GB860-87  | washer ; 13×4.5    | 1 |

YK0850. YK0870 Round baler  
Twine binding bracket Assy



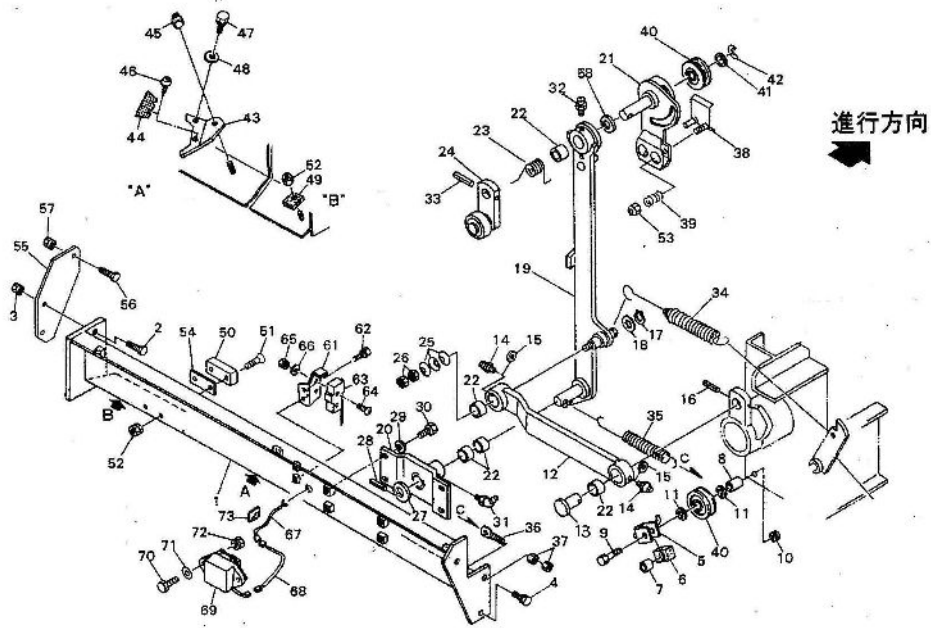
| No. | Drawing No.   | name                  | quantity |
|-----|---------------|-----------------------|----------|
| 1   | YK70. 7-01-00 | Twine clip plate CP;1 | 1        |
| 2   | GB5786-86     | Bolt M8×20 (8.8)      | 6        |
| 4   | YK70. 7-02-00 | Pressure plate CP     | 1        |
| 5   | YK70. 7-03    | Tension plate CP      | 1        |
| 6   | GB97. 1-85    | Washer 12             | 2        |
| 7   | GB91-87       | Split pin 3.2×16      | 2        |
| 8   | GB6710-86     |                       | 6        |
| 9   | GB6710-86     | Nut M8                | 1        |
| 10  | GB5786-86     | Bolt M8×20            | 4        |
| 11  | YK70. 7-04    | cam                   | 1        |
| 14  | YK70. 7-05    | Retaining ring 25     | 1        |



|    |                 |   |   |
|----|-----------------|---|---|
| 17 | GB/T290-98      | Single-direction<br>Rolling bearing HK2520 (25×32×20) | 1 |
| 18 | GB297-84        | bearing 6005-2RS (25X47X12)                           | 2 |
| 19 | GB484.1-86      | Shaft spring retaining ring 25                        | 1 |
| 23 | GB/T 80-2000    | <b>Hexagon socket set screw M8×20</b>                 | 1 |
| 24 | YK50.7-06       | Twine pulley YK0850                                   | 1 |
|    | YK70.7-06       | Twine pulley YK0870                                   | 1 |
| 25 | YK70.7-07       | Pull spring   | 2 |
| 26 | YK70.7-08       | slot plate  | 1 |
| 27 | YK70.7-09       | <b>compression spring</b>                             | 2 |
| 28 | GB5786-86       | boltM6×50   | 2 |
| 29 | YK70.7-10       | pulleyCP  | 2 |
| 30 | GB5786-86       | boltM8×30 (8.8)                                       | 2 |
| 31 | GB97.1-85       | Flat washer 8   | 5 |
| 32 | GB6710-86       | nut M8  | 2 |
| 33 | YK70.7-11       | Twine hook  | 1 |
| 36 | GB/T3098.9-2002 | Nylon locking nut M6                                  | 2 |
| 37 | GB97.1-85       | Flat washer 6   | 2 |
| 40 | YK70.7-12       | Adjustable lever CP                                   | 1 |
| 41 | YK70.7-13       | Fork 8×32   | 1 |
| 42 | YK70.7-14       | Pin 8×30  | 1 |
| 43 | GB6710-86       | nutM8   | 1 |

|    |           |                     |   |
|----|-----------|---------------------|---|
| 44 | GB97.1-85 | Washer 8            | 2 |
| 45 | GB91-87   | Split pin 3.2×16    | 1 |
| 46 | YK70.7-15 | Fork rod CP         | 1 |
| 47 | GB97.1-85 | Flat washer 12      | 1 |
| 48 | GB91-87   | Split pin 3.2×16    | 1 |
| 49 | YK70.7-16 | Spring rod CP       | 1 |
| 50 | YK70.7-17 | <b>pressure pad</b> | 1 |
| 51 | GB5786-86 | Bolt M6×20          | 2 |
| 52 | GB6710-86 | Nut M6              | 2 |
| 53 | GB97.1-85 | Flat washer 6       | 2 |
| 54 | GB97.1-85 | Flat washer 8       | 1 |
| 55 | GB91-87   | Split pin 3.2×16    | 1 |
| 56 | YK70.7-18 | Twine ring          | 1 |

YK0850. YK0870 Round baler  
Twine binding support Assy



| No. | Drawing No.  | name             | quantity |
|-----|--------------|------------------|----------|
| 1   | TK70.8-01-00 | Support rod CP;2 | 1        |
| 2   | GB5786-86    | Bolt M8×20 (8.8) | 2        |
| 3   | GB6710-86    | Nut M8           | 2        |
| 4   | GB5786-86    | bolt M8×20 (8.8) | 2        |
| 5   | YK70.8-02-00 | Rubber racket CP | 1        |
| 6   | YK70.8-03    | rubber washer    | 1        |
| 7   | YK70.8-04    | bush             | 1        |
| 8   | YK70.8-05    | sleeve           | 1        |
| 9   | GB5786-86    | bolt M8×80 (8.8) | 1        |
| 10  | GB6710-86    | nut M8 (8.8)     | 1        |
| 11  | GB93-87      | Spring washer 8  | 2        |
| 12  | YK70.8-06-00 | Swing arm CP     | 1        |

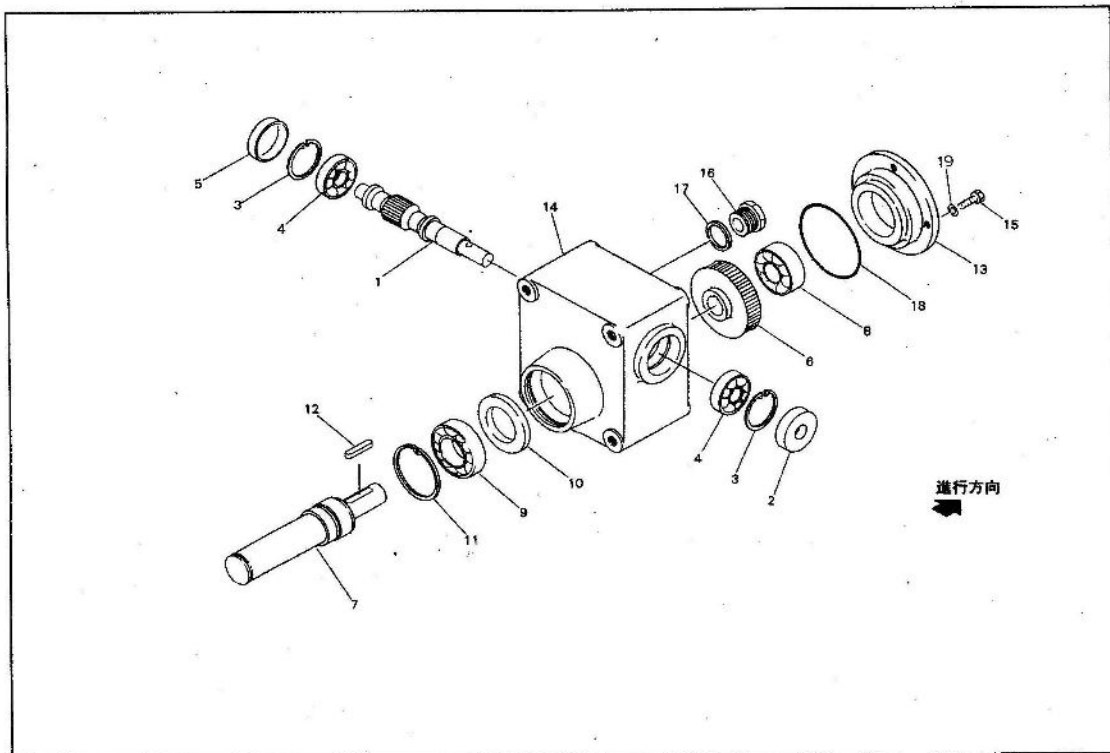
|    |                |                                |   |
|----|----------------|--------------------------------|---|
| 13 | GB119-86       | Cylindrical pin                | 1 |
| 14 | GB1152×79      | Grease nipple AM6×1            | 2 |
| 15 | GB97.1-85      | Flat washer 6                  | 2 |
| 16 | GB879-86       | Spring cylindrical pin 6×36    | 1 |
| 17 | GB894.1-86     | Shaft spring retaining ring 15 | 1 |
| 18 | GB97.1-85      | washer 17×1.5                  | 1 |
| 19 | YK70.8-08-00   | Support rod CP;1               | 1 |
| 20 | YK70.8-09-00   | bracket                        | 1 |
| 21 | YK70.8-10-00   | Support rod                    | 1 |
| 22 | YK70.8-11      | Nylon sleeve                   | 5 |
| 23 | YK70.8-12      | Torsion spring                 | 1 |
| 24 | YK70.8-13-00   | Pulley bracket CP:3            | 1 |
| 25 | JB/ZQ4340-2006 | Spring disc washer             | 3 |
| 26 | GB6710-86      | nut M8<br>(8.8)                | 2 |
| 27 | GB97.1-85      | Flat washer 17×1.5             | 1 |
| 28 | GB879-86       | Spring cylindrical pin 5×32    | 1 |
| 29 | GB97.1-85      | Flat washer 8                  | 4 |
| 30 | GB5786-86      | bolt M8×20 (8.8)               | 4 |
| 31 | GB1152×79      | grease nipple ONA6 M6×1        | 1 |
| 32 | GB1152×79      | grease nipple ONA6 M6×1        | 1 |
| 33 | GB879-86       | Spring cylindrical pin 6×36    | 1 |
| 34 | YK70.8-15      | Extension spring; H            | 1 |

|    |                       |  |   |
|----|-----------------------|--|---|
| 35 | YK70.8-16             | Extension spring; H                          | 1 |
| 36 | YK70.8-07             | screw: M8                                    | 1 |
| 37 | GB6710-86             | nut M8 (8.8)                                 | 2 |
| 38 | YK70.8-17-00          | Slot pressure pad                            | 1 |
| 39 | YK70.8-18             | <b>compression spring ; A</b>                | 1 |
| 40 | YK70.7-10             | pulleyCP                                     | 2 |
| 41 | GB97.1-85             | Flat washer 8                                | 1 |
| 42 |                       | Opening retaining ring 5                     | 1 |
| 43 | YK70.8-19-00          | Knife bracket                                | 1 |
| 44 | YK70.8-14             | knife  | 1 |
| 45 | GB/T3098.9-2002       | Nylon locking nut M8                         | 1 |
| 46 | <b>GB/T 5280-2002</b> | Self-tapping screw M3×6                      | 1 |
| 47 | GB5786-86             | bolt M8×20 (8.8)                             | 1 |
| 48 | GB97.1-85             | Washer 8                                     | 1 |
| 49 | YK70.8-20             | Rubber washer                                | 1 |
| 50 | YK70.8-21             | Nylon washer                                 | 1 |
| 51 | GB 819-1985           | Cross Countersunk head screw<br>M8×35 (10.9) | 2 |
| 52 | GB/T3098.9-2002       | Nylon locking nut M8                         | 3 |
| 53 | GB/T3098.9-2002       | Nylon locking nut M6                         | 1 |
| 54 | YK70.8-22             | plate  | 1 |
| 55 | YK50.8-22             | Plate YK0850                                 | 1 |
| 56 | GB5786-86             | bolt M8X16 (8.8) YK0850                      | 1 |

|    |              |                        |   |
|----|--------------|------------------------|---|
| 57 | GB6710-86    | nut M8(8.8) YK0850     | 1 |
| 58 | GB97.1-85    | Flat washer 16         | 1 |
| 61 | YK70.8-23    | buzzer switch racket   | 1 |
| 62 | GB5786-86    | bolt M8×20 (8.8)       | 2 |
| 63 |              | switch                 | 1 |
| 64 | GBT 818-2000 | Cross crew M4×30       | 2 |
| 65 | GB6710-86    | nut M4 (8.8)           | 2 |
| 66 | GB97.1-85    | Flat washer: 4         | 2 |
|    | GB93-87      | Spring washer :4       | 2 |
|    |              |                        | 1 |
|    |              | Twine clamp            | 1 |
|    |              | Plastic clip : 2.5×100 | 1 |

YK0850. YK0870 Round baler  
reducer assy

减速器 AS



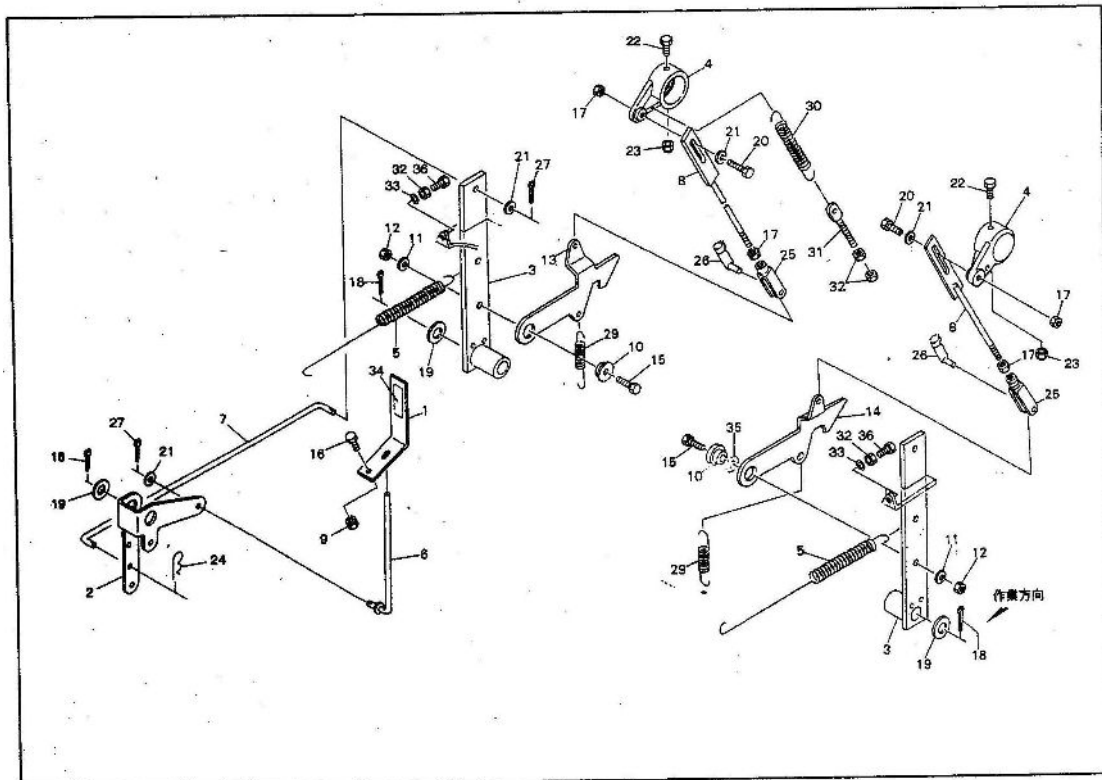
| No. | Drawing No.   | name                   | quantity |
|-----|---------------|------------------------|----------|
| 1   | YK70. 9-01    | worm                   | 1        |
| 2   | GBT 9877-2008 | Lip seal FB15×35×8     | 1        |
| 3   | GB893. 1-86   | Holes Circlips 35      | 2        |
| 4   | GB297-84      | Bearing 6202           | 2        |
| 5   | YK70. 9-02    | Sealing cover KRCA3507 | 1        |
| 6   | YK7309-03     | Wormgear               | 1        |
| 7   | YK70. 8-04    | Worm-wheel shaft       | 1        |
| 8   | GB297-84      | Bearing 6203           | 1        |
| 9   | GB297-84      | Ball bearing 6005-2RS  | 1        |
| 10  | D30507        | Oil seal FB30×50×7     | 1        |

|    |             |                      |   |
|----|-------------|----------------------|---|
| 11 | GB893.1-86  | Retaining ring 47    | 1 |
| 12 | GB1096-79   | Flat key 5×5×25 (A型) | 1 |
| 13 | YK70.9-05   | cover                | 1 |
| 14 | YK70.9-06   | case                 | 1 |
| 15 | GB5786-86   | Bolt M6×16 (8.8)     | 4 |
| 16 | YK70.9-07   | Oil port bolt        | 1 |
| 17 | YK70.9-08   | Rubber washer        | 1 |
| 18 | GB3452.1-82 | O-rubber seal G-60   | 1 |
| 19 | GB93-87     | Spring washer 6      | 4 |

YK0850. YK0870 Round baler

Topper cover rod

机架上连杆 AS



| No. | Drawing No. | name | quan |
|-----|-------------|------|------|
|     |             |      |      |



|    |               |                                | Quantity |
|----|---------------|--------------------------------|----------|
| 1  | YK70.10-01    | Indicator board                | 1        |
| 2  | YK70.10-02    | Fork plate                     | 1        |
| 3  | YK70.10-03-00 | Connecting plate               | 2        |
| 4  | YK70.10-04    | Topper cover                   | 2        |
| 5  | YK50.10-05    | <b>extension spring</b> YK0850 | 2        |
|    | YK70.10-05    | <b>extension spring</b> YK0870 | 2        |
| 6  | YK50.10-06-00 | Indicator rod YK0850           | 1        |
|    | YK70.10-06-00 | Indicator rod YK0870           | 1        |
| 7  | YK50.10-07    | Pull rod YK0850                | 1        |
|    | YK70.10-07    | Pull rod YK0870                | 1        |
| 8  | YK50.10-08-00 | Connecting rod YK0850          | 2        |
|    | YK70.10-08-00 | Connecting rod YK0870          | 2        |
| 9  | GB6710-86     | nut M8                         | 1        |
| 10 | YK70.10-09    | Shaft sleeve                   | 2        |
| 11 | GB93-87       | Spring washer 10               | 2        |
| 12 | GB6710-86     | nut 10                         | 2        |
| 13 | YK70.10-10    | hook ; R                       | 1        |
| 14 | YK70.10-11    | hook: L                        | 1        |
| 15 | GB5786-86     | Bolt M10×35 (8.8)              | 2        |
| 16 | GB5786-86     | bolt M10×20 (8.8)              | 1        |

|    |                     |  |   |
|----|---------------------|--|---|
| 17 | GB6710-86           | nutM8 (8)                                | 4 |
| 18 | GB91-87             | Split pin3.2×32                          | 3 |
| 19 | GB97.1-85           | 平垫21×1.5<br>washer                       | 3 |
| 20 | GB5786-86           | Bolt M8×25<br>(8.8)                      | 2 |
| 21 | GB97.1-85           | washer 8                                 | 4 |
| 22 | GB5786-86           | bolt M8×75<br>(8.8)                      | 2 |
| 23 | GB/T3098.9-2<br>002 | Nylon locking nut<br>M8                  | 2 |
| 24 |                     | B-pin 8×1.6                              | 1 |
| 25 | YK70.7-13           | Connecting yoke;<br>8×32                 | 2 |
| 26 | YK70.7-14           | Connecting pin;<br>8×32                  | 2 |
| 27 | GB91-87             | Split pin3.2×16                          | 2 |
| 29 | YK70.10-12          | <b>Extension Spring</b><br>; 2.3×1 8×6 8 | 2 |
| 30 | YK70.10-13          | <b>Extension Spring</b><br>; H           | 1 |
| 31 | YK70.10-14          | Pull rod; M1 0                           | 1 |
| 32 | GB6710-86           | nut M10 (8)                              | 4 |
| 33 | GB93-87             | washer 10                                | 2 |
| 34 |                     | sticker                                  | 1 |
| 35 | YK70.10-15          | Adjusting<br>shimΦ10.5×0.27              | - |
| 36 | GB5786-86           | Bolt M10×35<br>(8.8)                     | 2 |



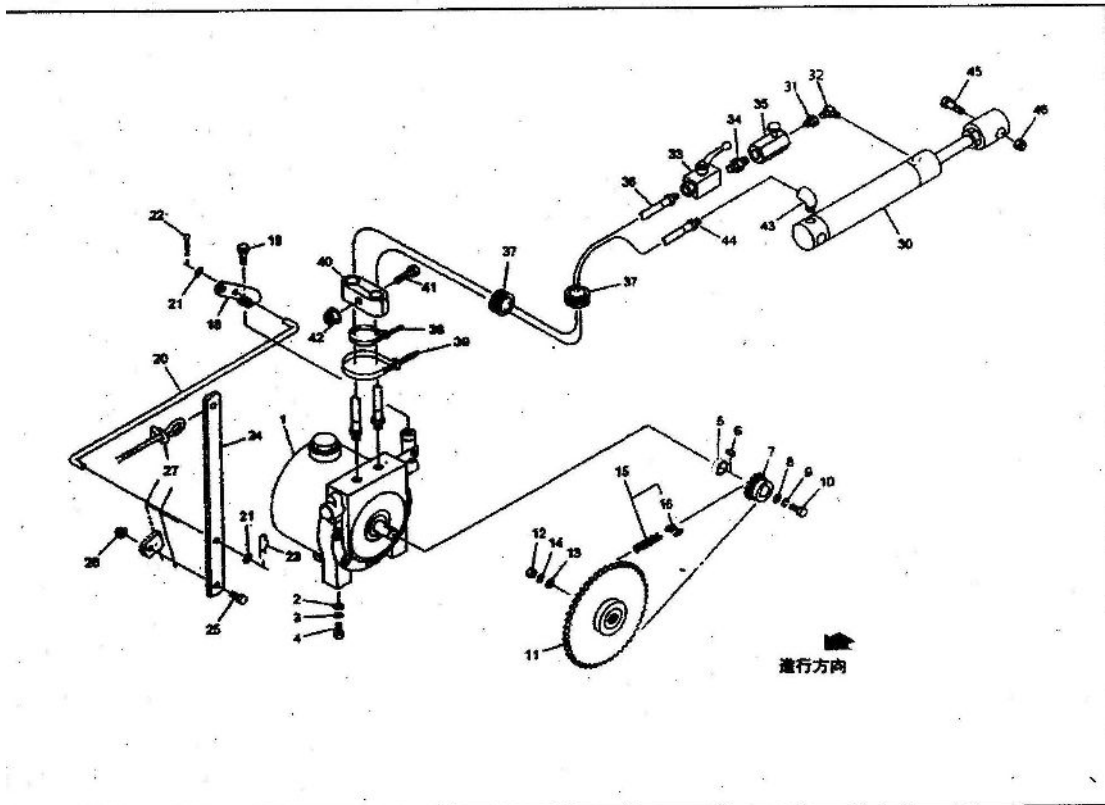
|    |                |                                    |    |
|----|----------------|------------------------------------|----|
| 1  | YK50.11-01-00  | Front cover housing CP;L<br>YK0850 | 1  |
|    | YK70.11-01-00  | Front cover housing CP;L<br>YK0870 | 1  |
| 2  | YK50.11-02-00  | Front cover housing CP;R<br>YK0850 | 1  |
|    | YK70.11-02-00  | Front cover housing CP;R<br>YK0870 | 1  |
| 3  | YK50.11-03-00  | rear cover housing CP;L<br>YK0850  | 1  |
|    | YK70.11-03-00  | Rear cover housing CP;L<br>YK0870  | 1  |
| 4  | YK50.11-04-00  | rear cover housing CP;R<br>YK0850  | 1  |
|    | YK70.11-04-00  | Rear cover housing CP; R<br>YK0870 | 1  |
| 5  | YK50.11-05-00  | Cover housing CP;L<br>YK0850       | 1  |
| 6  | YK50.11-06-00  | Cover housing CP; YK0850           | 1  |
| 7  | YK70.11-07     | Star handle : 50                   | 8  |
| 8  | JB/ZQ4340-2006 | Disc spring washer                 | 32 |
| 9  | GB97.1-85      | Flat washer 8                      | 16 |
| 10 | GB879-86       | Spring cylindrical pin 4×16        | 8  |
| 11 | GB5786-86      | Bolt M8×16 (8.8)                   | 4  |
| 12 | YK70.11-08     | reflector; R-80CI                  | 2  |
| 13 | GB6710-86      | Nut M5                             | 2  |
| 20 | YK70.11-09     | magnet                             | 1  |

|       |               |                               |   |
|-------|---------------|-------------------------------|---|
| 26    | GB5786-86     | bolt M8×20 (8.8)              | 4 |
| 27    | GB6710-86     | nut M8                        | 4 |
| 28    | GB5786-86     | bolt M8×20 (8.8)              | 4 |
| 29    | GB97.1-85     | Flat washer 8                 | 4 |
| 30    | YK50.11-12-00 | Cover housing; CP YK0850      | 1 |
|       | YK70.11-12-00 | Cover housing; CP YK0870      | 1 |
| 31    | GB5786-86     | bolt M8×20 (8.8)              | 8 |
| 32    | GB97.1-85     | Flat washer8                  | 8 |
| 35    | YK70.11-13    | sticker                       | 1 |
| 36    | YK70.11-14    | sticker                       | 1 |
| 37    | YK70.11-15    | sticker                       | 1 |
| 38 38 | YK70.11-16    | Warning sticker               | 2 |
| 39    | YK70.11-17    | sticker                       | 1 |
| 40    | YK70.11-18    | Warning sticker               | 1 |
| 41    | YK70.11-19    | Warning sticker               | 2 |
| 42    | YK50.11-20    | Warning sticker ; 850L YK0850 | 1 |
|       | YK70.11-20    | Warning sticker ; 870L YK0870 | 1 |
| 43    | YK50.11-21    | Warning sticker ; 850R YK0850 | 1 |

|    |               |                           |   |
|----|---------------|---------------------------|---|
| 21 | YK50.11-10-00 | gate; CP<br>YK0850        | 1 |
|    | YK70.11-10-00 | gate; CP YK0870           | 1 |
| 22 | GBT 818-2000  | cross head screw<br>M6×12 | 2 |
| 23 | GB97.1-85     | Washer 6                  | 2 |
| 24 | GB6710-86     | Nut M6                    | 2 |
| 25 | YK50.11-11-00 | Cover box CP YK0850       | 1 |
|    | YK70.11-11-00 | Cover box CP<br>YK0870    | 1 |

|    |            |                                  |   |
|----|------------|----------------------------------|---|
|    | YK70.11-21 | Warning sticker :<br>870R YK0870 | 1 |
| 44 | YK70.11-22 | Name of manufacturer             | 3 |
| 45 | YK70.11-23 | sticker                          | 1 |
| 46 | YK70.11-24 | sticker                          | 1 |
|    | GB93-87    | Spring washer :5                 | 2 |
|    |            |                                  |   |
|    |            |                                  |   |

YK0850. YK0870 Round baler  
Hydraulic pump assy



| No. | Drawing No.   | name                         | quantity |
|-----|---------------|------------------------------|----------|
| 1   | YK70.12-04-00 | Hydraulic pump station ; 95R | 1        |
| 2   | GB97.1-85     | Washer 10                    | 2        |
| 3   | GB93-87       | Spring washer 10             | 2        |
| 4   | GB5786-86     | boltM10×25 (8,8)             | 2        |
| 5   | YK70.12-01    | Check sleeve                 | 1        |
| 6   | GB1096-79     | Flat key5×5×20 (B type)      | 1        |
| 7   | YK70.12-02    | Small pulley 9T              | 1        |
| 8   | GB97.1-85     | Washer 6                     | 1        |
| 9   | GB93-87       | Spring washer 6              | 1        |
| 10  | GB5786-86     | bolt M6×16 (8,8)             | 1        |
| 11  | YK70.12-03    | Large pulley 43T             | 1        |
| 12  | GB6710-86     | nutM12 (8.8)                 | 1        |
| 13  | GB97.1-85     | washer: 13×4.5               | 1        |
| 14  | GB93-87       | Spring washer 12             | 1        |
| 15  | GB/T1243-2006 | chain08A-56×1                | 1        |
| 16  | GB/T1243-2006 | Chain joint 08A              | 1        |
| 18  | YK70.12-05    | Conneting board              | 1        |
| 19  | GB5786-86     | Bolt M8×16 (8.8)             | 1        |
| 20  | YK70.12-06    | Connecting rod               | 1        |
| 21  | GB97.1-85     | Washer 8                     | 2        |

|     |                 |  |   |
|-----|-----------------|--|---|
| 22  | GB91-87         | Split pin 3.2×16   | 1 |
| 23  |                 | B-pin 8×1.6  | 1 |
| 24  | YK70.12-07      | plate  | 1 |
| 25' | GB5786-86       | bolt M8×25 (8.8)   | 1 |
| 26  | GB/T3098.9-2002 | Nylon locking nut<br>M8                                    | 1 |
| 27  | YK70.12-08      | Nylon rope 6×3500  | 1 |
| 30  | YK70.12-09-00   | Cylinder<br>CSH35×210×375                                  | 1 |
| 31  |                 | Conical female and<br>male outside<br>coupler<br>G1/4×R1/4 | 1 |
| 32  |                 | 90° conical male<br>inside coupler<br>G1/4×R1/4            | 1 |
| 33  | GB/T12223-2005  | Control volve<br>Rc1/4                                     | 1 |
| 34  |                 | male coupler R1/4  | 1 |
| 35  | GB/T8100-1987   | Single-direction<br>throttle valve<br>Rc1/4                | 1 |
| 36  | GB/T1277-99     | Rubber hose G1 /<br>4×1000                                 | 2 |
| 37  | YK70.12-10      | bush; Φ35  | 2 |
| 38  |                 | Plastic hoop<br>2.5×100                                    | 3 |
| 39  |                 | Plastic hoop<br>4.8×251                                    | 2 |
| 43  |                 | 90° conical male<br>inside coupler<br>G1/4×R1/4            | 4 |
| 44  |                 | 90° female<br>coupler G1/4                                 | 2 |

|    |                     |                         |   |
|----|---------------------|-------------------------|---|
| 45 | GB5786-86           | bolt M16×80<br>(8.8)    | 2 |
| 46 | GB/T3098.9-2<br>002 | Nylon locking nut<br>M6 | 2 |